

Niethammer
Zoom Profile Spots
Follow Spots
Fill Lights



Niethammer Spotlights

1/1.2 kW Profile Spotlights

HPZ 112D	page 12
HPZ 115D	page 14

2 kW Profile Spotlights

HPZ 211D	page 18
HPZ 215D	page 20
HPZ 211X	page 22
HPZ 215X	page 24

2.5 kW Profile Spotlights

HPZ 2511D	page 28
HPZ 2515D	page 30

Follow Spots

HZU 2508D	page 34
MZU 106D	page 36
MZU 256D	page 36

LED Fill Lights

ENIFLOOD	page 40
----------	---------

Motorization

ENIMOT	page 42
--------	---------

Accessories

	page 44
--	---------



The Story of Niethammer

... began in 1900 when Emil Niethammer founded the company in Stuttgart, Germany. At that time Niethammer was dealing with switchgear and control gear, power distribution and electrical installations. In 1934 the first theatre spots were launched and these established the name Niethammer. By 1960 the product line encompassed primarily incandescent spots which the company was improving on a constant basis. After several steps, it was 1988 when Niethammer introduced its first HMI spot and in 1990 the ENIZOOM profile spot. These profile spots utilised a halogen bulb and established themselves quickly in multiple international theatres, musicals and TV installations.

In the year 2012 development and production of Niethammer luminaires were taken over by NIETHAMMER LICHTTECHNIK GMBH. The factory near Stuttgart has many years' experience and is responsible for the production of all Niethammer products since 1989. The production is in a tradition that combines perfect craftsmanship with modern manufacturing methods.



© Ralph@Larmann.com

Up to this day

... Niethammer zoom profile spotlights are a standard in theatres, musicals and TV installations all over the world.

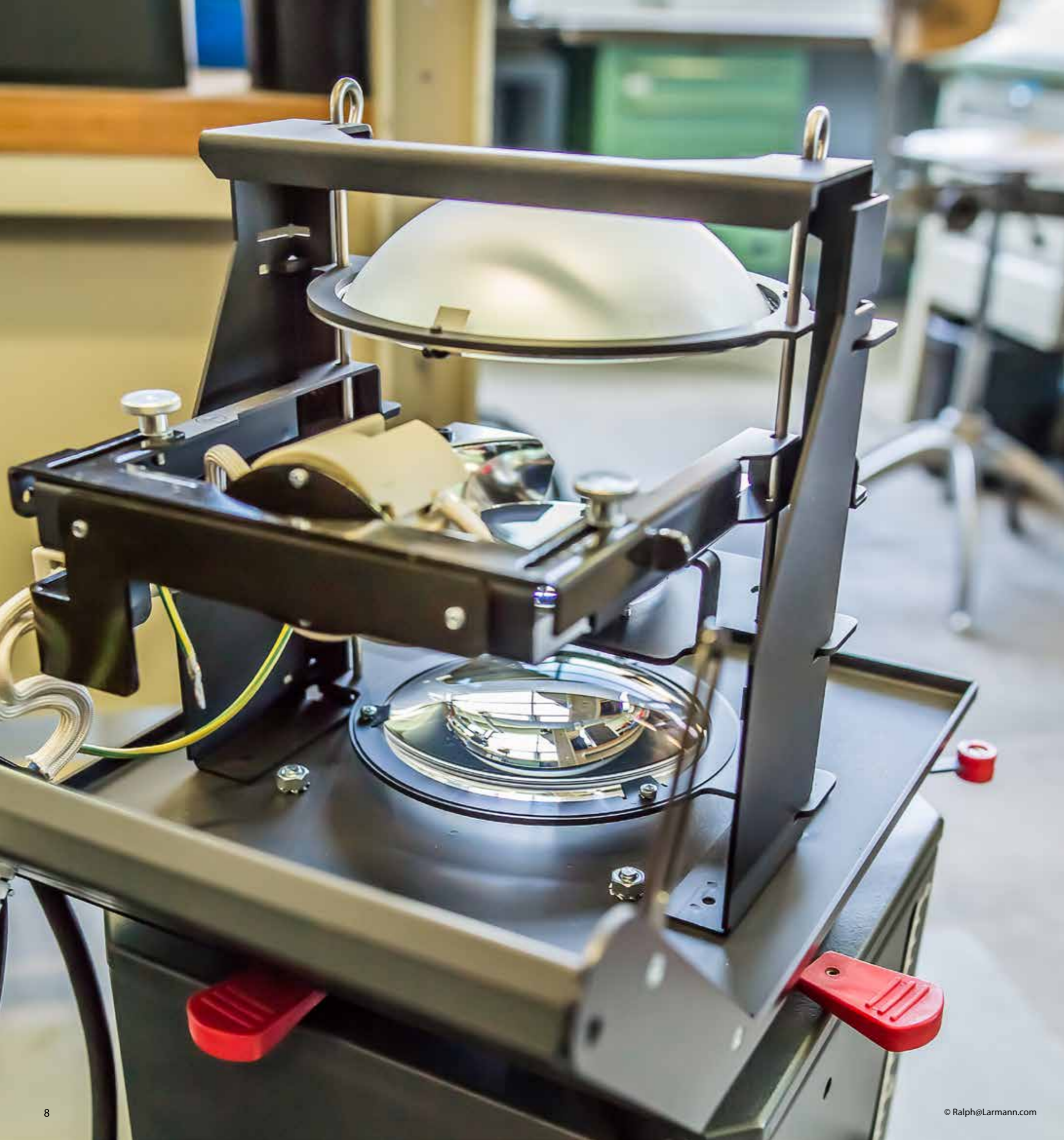
Niethammer profile spots are manufactured in Germany using the latest technology ranging from a hydraulic moulding press to a CNC universal machine for blanking and lasing. All the machines are new and up-to-date to ensure the highest and constant quality. Each product has to pass strict tests from the initial goods receipt until the final assembly. The final assembly is done by hand to guarantee the best quality. After the product is finished it again has to pass a series of tests that check the optical system, projection quality and so on. Only products that pass all of these tests at 100 percent are good enough to be shipped.

Top: Ready for shipping: Niethammer spots can be found in theatres, musicals and TV installations all over the world.

Right: Hand made: Niethammer products are manufactured with accuracy to guarantee best quality.



© Ralph@Larmann.com



Made in Germany

Since decades the name Niethammer stands for high-quality theatre profile spots "Made in Germany". With the production of premium profile spots the company earned itself an excellent national and international reputation. Niethammer spots are characterised by their high brightness, precise projection quality and smooth light output, as well as their rugged construction, the easy handling and the numerous small details that make daily work a lot easier. All these are reasons for their popularity amongst operators.

- High quality optical system
- Precise projection quality
- No noise*
- Simple operation
- Versatile functions
- Quality made in Germany

HPZ Series from Niethammer – clever in detail

High quality optical system

A high quality optical system with broadband anti-reflex coating guarantees a high light output, an even light field and excellent image quality.

No noise

The Niethammer profile spots 112 D/115 D with a 1kW/1.2kW lamp and the Niethammer 211 X/215 X with a 2kW lamp come with a special dichroic cold light reflector and without fans. They are ideal for use anywhere where the slightest operating noise would cause interference.

Simple operation

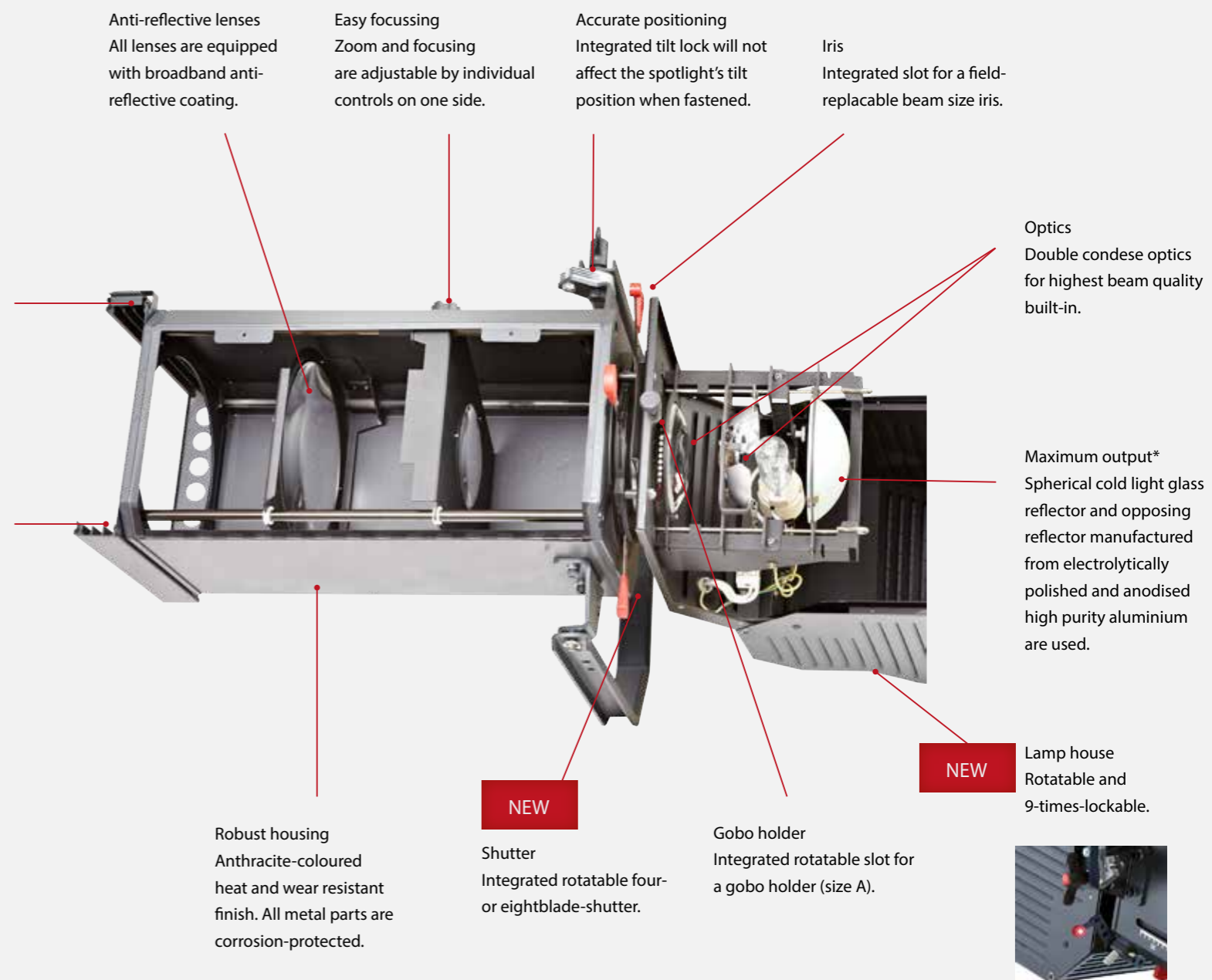
Teflon-coated zoom lens guides permit very easy focal length adjustment, while a zoom scale also makes it very simple to focus.

Versatile functions

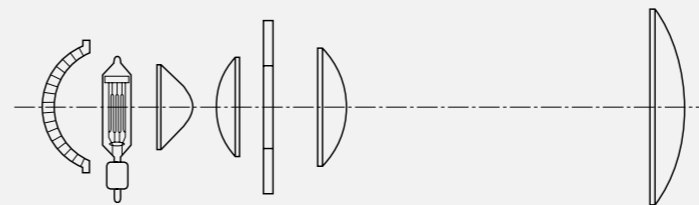
A quadruple or octuple shutter, iris and size A gobo slot all complement the functional versatility of Niethammer profile spots.

Built in quality

All housings are manufactured and assembled in Germany using the latest technology. Each product has to pass rigorous tests starting from the goods receipt – until the final assembly.



*due to model



HPZ 112 D

12°–24°
1,000 / 1,200W tungsten

No fan,
no noise

Zoom profile spotlight

The Niethammer 112 D comes with a special dichroic cold light reflector and without fans. It is ideal for use anywhere where the slightest operating noise would cause interference.

Technical specifications for Art.-No.: N112-001

Beam angle/zoom	12°–24°
Gobo size	A-Size
Lamp socket	GX 9,5
Lamp power	1/1,2kW
Front cassette size	185 x 185 mm
Dimensions	715 x 320 x 475 mm
Net weight	14 kg



Photometric data

1,200 W / 30,000 lm	Distance (m)	10.0	12.5	15.0	17.5	20.0	22.5	25.0	27.5
min. opening angle: 12° ax.= 375,000cd	ø Dia. Light circle (m)	2.1	2.6	3.2	3.7	4.2	4.7	5.3	5.8
	Luminous intensity (lx)	3,750	2,400	1,670	1,225	938	740	600	496
max. opening angle: 24° ax.= 140,000cd	ø Dia. Light circle (m)	4.3	5.3	6.4	7.4	8.5	9.6	10.6	11.7
	Luminous intensity (lx)	1,400	896	622	457	350	277	224	185

1,000 W / 26,000 lm	Distance (m)	10.0	12.5	15.0	17.5	20.0	22.5	25.0	27.5
min. opening angle: 12° ax.= 295,000cd	ø Dia. Light circle (m)	2.1	2.6	3.2	3.7	4.2	4.7	5.3	5.8
	Luminous intensity (lx)	2,950	1,888	1,311	963	738	583	472	390
max. opening angle: 24° ax.= 120,000cd	ø Dia. Light circle (m)	4.3	5.3	6.4	7.4	8.5	9.6	10.6	11.7
	Luminous intensity (lx)	1,200	768	533	392	300	237	192	159

Article

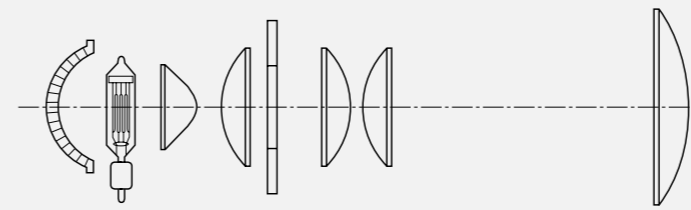
N112-001 HPZ 112 D, 12°–24°

Scope of delivery:

safety grid, 2.5m powercable with Schuko connector

Accessories

1090.52.201	PFK/185 - Cardboard filter holder, 185 x 185mm
N215-910	GH 100-D - Goboholder A-Size, for X- and D-fixtures
N12-295	BN155 - Luminaire basic plate corresponding DIN 15560
N12-261	SO153 - Rotatable base with spindle
1092.00.195	CAS100-4 - Safety bond 1m, 4mm
2990.40.600	Lamp 6995 P, CP 70, 1000W, 250h, GX 9.5
2990.40.625	Lamp CP 90, 230-240V, 1.200W, 3.200K, GX 9,5, GE
N120-717	SB101 - Curved Yoke



HPZ 115 D

16°–38°
1,000 / 1,200W tungsten

No fan,
no noise

Zoom profile spotlight

The Niethammer 115 D comes with a special dichroic cold light reflector and without fans. It is ideal for use anywhere where the slightest operating noise would cause interference.

Technical specifications for Art.-No.: N115-001

Beam angle/zoom	16°–38°
Gobo size	A-Size
Lamp socket	GX 9,5
Lamp power	1/1,2kW
Front cassette size	185 x 185 mm
Dimensions	645 x 320 x 475 mm
Net weight	14 kg



Photometric data

1,200 W / 30,000 lm	Distance (m)	5.0	7.5	10.0	12.5	15.0	17.5	20.0	22.5
min. opening angle: 16° ax.= 215,000cd	ø Dia. Light circle (m)	1.3	2.0	2.6	3.3	3.9	4.6	5.3	5.9
	Luminous intensity (lx)	8,600	3,800	2,150	1,376	955	700	537	425
max. opening angle: 38° ax.= 54,000cd	ø Dia. Light circle (m)	3.4	5.2	6.9	8.6	10.3	12.1	13.8	15.5
	Luminous intensity (lx)	2,160	960	540	346	240	176	135	107

1,000 W / 26,000 lm	Distance (m)	5.0	7.5	10.0	12.5	15.0	17.5	20.0	22.5
min. opening angle: 16° ax.= 165,000cd	ø Dia. Light circle (m)	1.3	2.0	2.6	3.3	3.9	4.6	5.3	5.9
	Luminous intensity (lx)	6,600	2,930	1,650	1,056	733	540	413	326
max. opening angle: 38° ax.= 46,000cd	ø Dia. Light circle (m)	3.4	5.2	6.9	8.6	10.3	12.1	13.8	15.5
	Luminous intensity (lx)	1,840	818	460	294	204	150	115	91

Article

N115-001 HPZ 115 D, 16°–38°

Scope of delivery:

safety grid, 2.5m powercable with Schuko connector

Accessories

1090.52.201	PFK/185 - Cardboard filter holder, 185 x 185mm
N215-910	GH 100-D - Goboholder A-Size, for X- and D-fixtures
N12-295	BN155 - Luminaire basic plate corresponding DIN 15560
N12-261	SO153 - Rotatable base with spindle
1092.00.195	CAS100-4 - Safety bond 1m, 4mm
2990.40.600	Lamp 6995 P, CP 70, 1000W, 250h, GX 9.5
2990.40.625	Lamp CP 90, 230-240V, 1.200W, 3.200K, GX 9,5, GE
N120-717	SB101 - Curved Yoke





Low-noise fan

HPZ 211 D

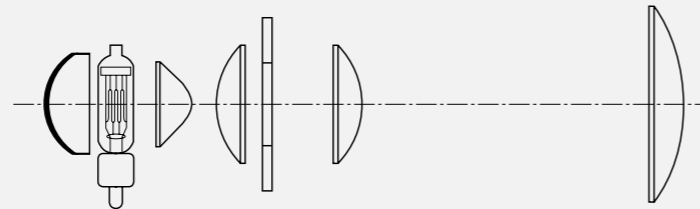
10°-22°
2,000W tungsten

Zoom profile spotlight

The Niethammer 211 D comes with a reflector and opposing reflector manufactured from electrolytically polished and anodised high purity aluminium. It is ideal for use anywhere where brightness is important.

Technical specifications for Art.-No.: N211-001

Beam angle/zoom	10°-22°
Gobo size	A-Size
Lamp socket	GY 16
Lamp power	2kW
Front cassette size	245 x 245 mm
Dimensions	870 x 430 x 595 mm
Net weight	24 kg



Photometric data

2,000 W / 52,000 lm	Distance (m)	10.0	12.5	15.0	20.0	25.0	30.0	40.0	50.0
min. opening angle: 10° ax.= 1,085,000cd	ø Dia. Light circle (m)	1.7	2.2	2.6	3.5	4.4	5.3	7.0	8.8
	Luminous intensity (lx)	10,850	6,944	4,822	2,713	1,736	1,206	678	434
max. opening angle: 22° ax.= 274,000cd	ø Dia. Light circle (m)	3.9	4.9	5.8	7.8	9.7	11.7	15.6	19.4
	Luminous intensity (lx)	2,740	1,754	1,218	685	438	304	171	110

Article

N211-001 HPZ 211 D, 10°-22°

Scope of delivery:

safety grid, 2.5m powercable with Schuko connector

Accessories

1090.52.302	PFK/245 - Cardboard filter holder, 245 x 245mm
N215-910	GH 100-D - Goboholder A-Size, for X- and D-fixtures
N12-295	BN155 - Luminaire basic plate corresponding DIN 15560
N12-261	SO153 - Rotatable base with spindle
1092.00.195	CAS100-4 - Safety bond 1m, 4mm
2990.40.800	Lamp 6994P, CP 72, 2000W, 480h, GY16
N120-840	SB 201 - Curved Yoke



HPZ 215 D

15°-40°
2,000W tungsten

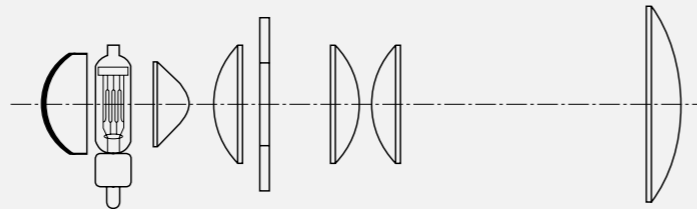
Low-noise fan

Zoom profile spotlight

The Niethammer 215 D comes with a reflector and opposing reflector manufactured from electrolytically polished and anodised high purity aluminium. It is ideal for use anywhere where brightness is important.

Technical specifications for Art.-No.: N215-001

Beam angle/zoom	15°-40°
Gobo size	A-Size
Lamp socket	GY 16
Lamp power	2kW
Front cassette size	245 x 245 mm
Dimensions	835 x 430 x 595 mm
Net weight	25 kg



Photometric data

2,000 W / 52,000 lm	Distance (m)	10.0	12.5	15.0	20.0	25.0	30.0	40.0	50.0
min. opening angle: 15° ax.= 577,000cd	ø Dia. Light circle (m)	2.6	3.3	3.9	5.3	6.6	7.9	10.5	13.2
	Luminous intensity (lx)	5,770	3,693	2,564	1,443	923	641	361	231
max. opening angle: 40° ax.= 99,000cd	ø Dia. Light circle (m)	7.3	9.1	10.9	14.6	18.2	21.8	29.1	36.4
	Luminous intensity (lx)	990	634	440	248	158	110	62	40

Article

N215-001 HPZ 215 D, 15°-40°

Scope of delivery:

safety grid, 2.5m powercable with Schuko connector

Accessories

1090.52.302	PFK/245 - Cardboard filter holder, 245 x 245mm
N215-910	GH 100-D - Goboholder A-Size, for X- and D-fixtures
N12-295	BN155 - Luminaire basic plate corresponding DIN 15560
N12-261	SO153 - Rotatable base with spindle
1092.00.195	CAS100-4 - Safety bond 1m, 4mm
2990.40.800	Lamp 6994P, CP 72, 2000W, 480h, GY16
N120-840	SB 201 - Curved Yoke



HPZ 211 X

10°-22°
2,000W tungsten

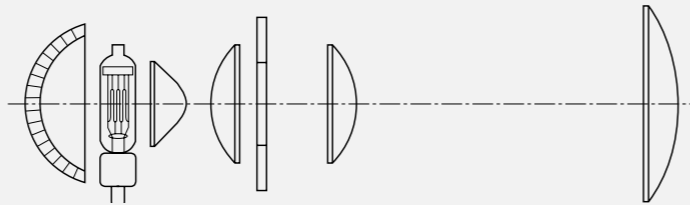
No fan,
no noise

Zoom profile spotlight

The Niethammer 211 X works using a special dichroic cold light reflector and without fans. It is ideal for use anywhere where the slightest operating noise would cause interference.

Technical specifications for Art.-No.: N211-003

Beam angle/zoom	10°-22°
Gobo size	A-Size
Lamp socket	G 22
Lamp power	2kW
Front cassette size	245 x 245 mm
Dimensions	870 x 430 x 595 mm
Net weight	22 kg



Photometric data

2,000 W / 52,000 lm	Distance (m)	10.0	12.5	15.0	20.0	25.0	30.0	40.0	50.0
min. opening angle: 10° ax.= 100,000cd	ø Dia. Light circle (m)	1.7	2.2	2.6	3.5	4.4	5.3	7.0	8.8
	Luminous intensity (lx)	10,000	6,400	4,444	2,500	1,600	1,111	625	400
max. opening angle: 22° ax.= 254,000cd	ø Dia. Light circle (m)	3.9	4.9	5.8	7.8	9.7	11.7	15.6	19.4
	Luminous intensity (lx)	2,450	1,568	1,089	613	392	272	153	98

Article

N211-003 HPZ 211 X, 10°-22°

Scope of delivery:

safety grid, 2.5m powercable with Schuko connector

Accessories

1090.52.302	PFK/245 - Cardboard filter holder, 245 x 245mm
N215-910	GH 100-D - Goboholder A-Size, for X- and D-fixtures
N12-295	BN155 - Luminaire basic plate corresponding DIN 15560
N12-261	SO153 - Rotatable base with spindle
1092.00.195	CAS100-4 - Safety bond 1m, 4mm
2990.40.620	Lamp CP 92, 2000W, G22
N120-840	SB201 - Curved Yoke



HPZ 215 X

15°-40°
2,000W tungsten

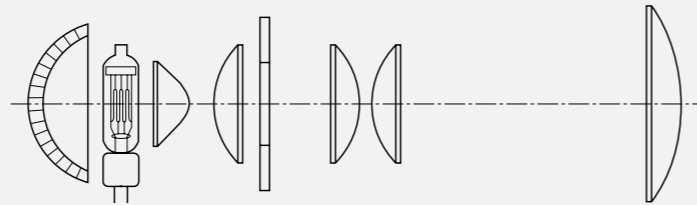
No fan,
no noise

Zoom profile spotlight

The Niethammer 215 X works using a special dichroic cold light reflector and without fans. It is ideal for use anywhere where the slightest operating noise would cause interference.

Technical specifications for Art.-No.: N215-003

Beam angle/zoom	15°-40°
Gobo size	A-Size
Lamp socket	G 22
Lamp power	2kW
Front cassette size	245 x 245 mm
Dimensions	835 x 430 x 595 mm
Net weight	23 kg



Photometric data

2,000 W / 52,000 lm	Distance (m)	10.0	12.5	15.0	20.0	25.0	30.0	40.0	50.0
min. opening angle: 15° ax.= 490,000cd	ø Dia. Light circle (m)	2.6	3.3	3.9	5.3	6.6	7.9	10.5	13.2
	Luminous intensity (lx)	4,900	3,136	2,178	1,225	784	544	306	196
max. opening angle: 40° ax.= 75,000cd	ø Dia. Light circle (m)	7.3	9.1	10.9	14.6	18.2	21.8	29.1	36.4
	Luminous intensity (lx)	750	480	333	188	120	83	47	30

Article

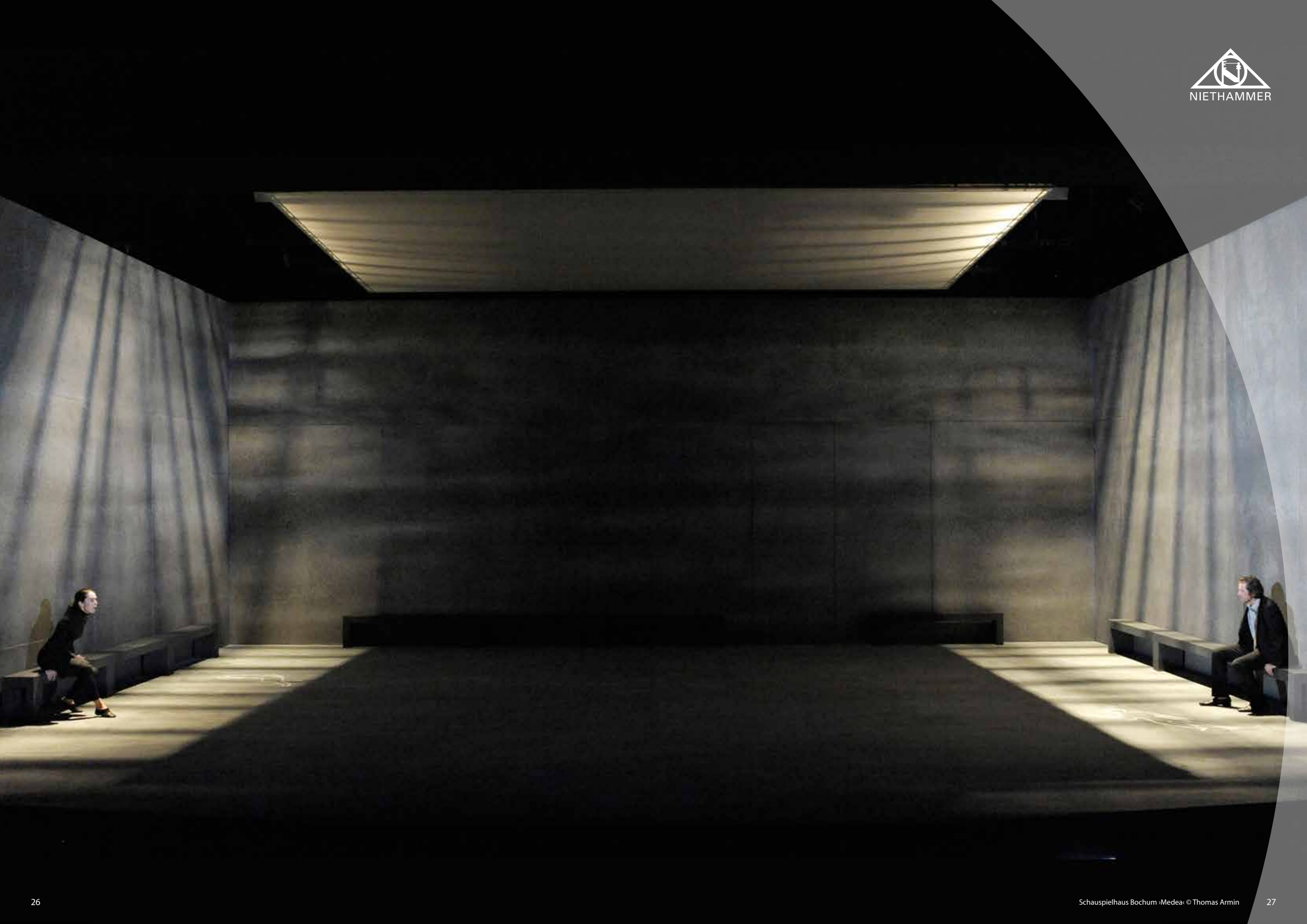
N215-003 HPZ 215 X, 15°-40°

Scope of delivery:

safety grid, 2.5m powercable with Schuko connector

Accessories

1090.52.302	PFK/245 - Cardboard filter holder, 245 x 245mm
N215-910	GH 100-D - Goboholder A-Size, for X- and D-fixtures
N12-295	BN155 - Luminaire basic plate corresponding DIN 15560
N12-261	SO153 - Rotatable base with spindle
1092.00.195	CAS100-4 - Safety bond 1m, 4mm
2990.40.620	Lamp CP 92, 2000W, G22
N120-840	SB201 - Curved Yoke





HPZ 2511 D

10°-22°
2,000/2,500W tungsten

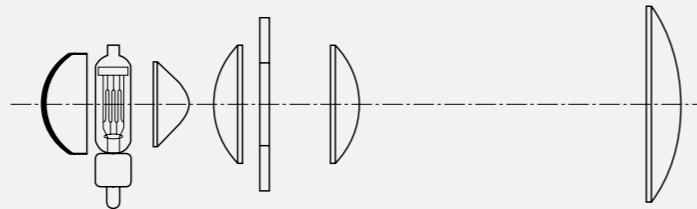
Low-noise fan

Zoom profile spotlight

The Niethammer 2511 D comes with a reflector and opposing reflector manufactured from electrolytically polished and anodised high purity aluminium. It is ideal for use anywhere where brightness is important.

Technical specifications for Art.-No.: N211-002

Beam angle/zoom	10°-22°
Gobo size	A-Size
Lamp socket	G 22
Lamp power	2/2,5kW
Front cassette size	245 x 245 mm
Dimensions	870 x 430 x 595 mm
Net weight	24 kg



Photometric data

2,500 W / 65,000 lm	Distance (m)	10.0	12.5	15.0	20.0	25.0	30.0	40.0	50.0
min. opening angle: 10° ax.= 1,160,000cd	ø Dia. Light circle (m)	1.7	2.2	2.6	3.5	4.4	5.3	7.0	8.8
	Luminous intensity (lx)	11,600	7,424	5,156	2,900	1,856	1,289	725	464
max. opening angle: 22° ax.= 300,000cd	ø Dia. Light circle (m)	3.9	4.9	5.8	7.8	9.7	11.7	15.6	19.4
	Luminous intensity (lx)	3,000	1,920	1,333	750	480	333	188	120

Article

N211-002 HPZ 2511 D, 10°-22°

Scope of delivery:

safety grid, 2.5m powercable open end

Accessories

1090.52.302	PFK/245 - Cardboard filter holder, 245 x 245mm
N215-910	GH 100-D - Goboholder A-Size, for X- and D-fixtures
N12-295	BN155 - Luminaire basic plate corresponding DIN 15560
N12-261	SO153 - Rotatable base with spindle
1092.00.195	CAS100-4 - Safety bond 1m, 4mm
2990.40.621	Lamp CP91, 2500W, G22
N120-840	SB201 - Curved Yoke



HPZ 2515 D

15°-40°
2,000/2,500W tungsten

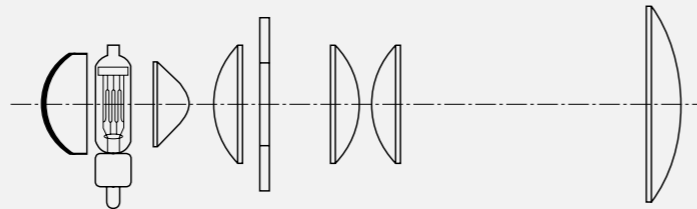
Low-noise fan

Zoom profile spotlight

The Niethammer 2511 D comes with a reflector and opposing reflector manufactured from electrolytically polished and anodised high purity aluminium. It is ideal for use anywhere where brightness is important.

Technical specifications for Art.-No.: N215-002

Beam angle/zoom	15°-40°
Gobo size	A-Size
Lamp socket	G 22
Lamp power	2/2,5kW
Front cassette size	245 x 245 mm
Dimensions	835 x 430 x 595 mm
Net weight	25 kg



Photometric data

2,500 W / 65,000 lm	Distance (m)	10.0	12.5	15.0	20.0	25.0	30.0	40.0	50.0
min. opening angle: 15° ax.= 665,000cd	ø Dia. Light circle (m)	2.6	3.3	3.9	5.3	6.6	7.9	10.5	13.2
	Luminous intensity (lx)	6,650	4,256	2,956	1,663	1,064	739	416	266
max. opening angle: 40° ax.= 109,000cd	ø Dia. Light circle (m)	7.3	9.1	10.9	14.6	18.2	21.8	29.1	36.4
	Luminous intensity (lx)	1,090	698	484	273	174	121	68	44

Article

N215-002 HPZ 2515 D, 15°-40°

Scope of delivery:

safety grid, 2.5m powercable open end

Accessories

1090.52.302	PFK/245 - Cardboard filter holder, 245 x 245mm
N215-910	GH 100-D - Goboholder A-Size, for X- and D-fixtures
N12-295	BN155 - Luminaire basic plate corresponding DIN 15560
N12-261	SO153 - Rotatable base with spindle
1092.00.195	CAS100-4 - Safety bond 1m, 4mm
2990.40.621	Lamp CP91, 2500W, G22
N120-840	SB201 - Curved Yoke





HZU 2508 D

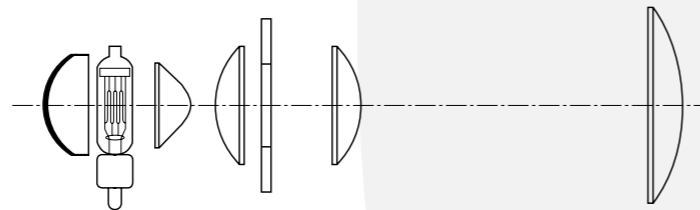
Zoom profile Follow spotlight

High brightness and precise operation thanks to the ball-bearing-“swing”.

6°–17°
2,000/2,500W tungsten

Technical specifications for Art.-No.: N208-002

Beam angle/zoom	6°–17°
Gobo size	A-Size
Lamp socket	G 22
Lamp power	2/2,5kW
Front cassette size	275 x 275 mm
Dimensions	835 x 430 x 595 mm
Net weight	25 kg



Photometric data

2,000 W / 52,000 lm	Distance (m)	10.0	15.0	20.0	30.0	40.0	50.0	60.0	70.0
min. opening angle: 6° ax.= 1.670,000cd	ø Dia. Light circle (m)	1.05	1.57	2.09	3.14	4.10	5.23	6.27	7.32
	Luminous intensity (lx)	16,700	7,422	4,175	1,856	1,044	668	464	341
max. opening angle: 17° ax.= 300,000cd	ø Dia. Light circle (m)	2.99	4.48	5.98	8.97	11.96	14.95	17.93	20.92
	Luminous intensity (lx)	3,000	1,333	750	333	187	120	83	61

2,500 W / 65,000 lm	Distance (m)	10.0	15.0	20.0	30.0	40.0	50.0	60.0	70.0
min. opening angle: 6° ax.= 1.845,000cd	ø Dia. Light circle (m)	1.05	1.57	2.09	3.14	4.10	5.23	6.27	7.32
	Luminous intensity (lx)	18,450	8,200	4,612	2,050	1,153	738	512	377
max. opening angle: 17° ax.= 367,000cd	ø Dia. Light circle (m)	2.99	4.48	5.98	8.97	11.96	14.95	17.93	20.92
	Luminous intensity (lx)	3,670	1,631	917	408	229	147	102	75

Article

N208-002 HZU 2508 D, 6°–17°

Scope of delivery:

safety grid, 2.5m powercable open end, rotatable base, ball-bearing-Swing

Accessories

1090.52.505	PFM/275 - Metal filter holder, 275 x 275mm
N215-910	GH 100-D - Goboholder A-Size
2990.40.620	Lamp CP92, 2000W, G22
2990.40.621	Lamp CP91, 2500W, G22
N208-980	FWV208 - Manual 4-colour changer (colours: red, yellow, green, blue)
N11-784	ST 123 - Follow Stand tripod 800-1200mm high
N11-967	ST 124 H - Follow Heavy Duty with stabilisers 840-1200mm high
N 106-620	IH 106D - manuel dimmer (constant colour temperature)



MZU 106 D

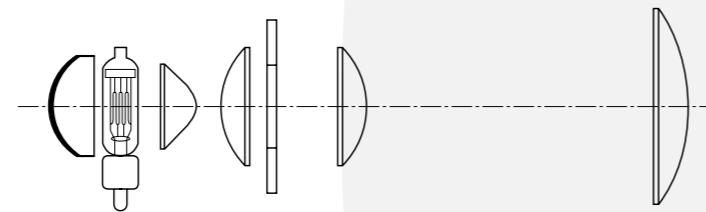
MZU 256 D

Zoom profile Follow spotlight

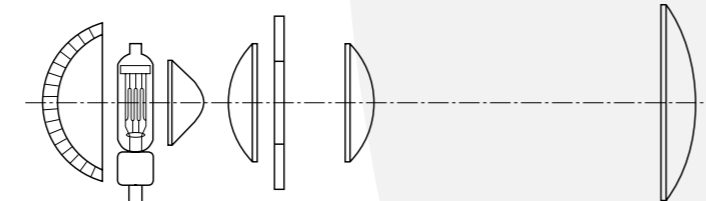
High brightness and precise operation thanks to the ball-bearing-“swing“.

Technical specifications for Art.-No.: N106-001 and N256-001

Beam angle/zoom	6°–17°
Gobo size	A-Size
Lamp socket	G 38
Lamp power	1,2/2,5kW
Front cassette size	270 x 270 mm
Dimensions	835 x 430 x 595 mm
Net weight	25 kg



MZU 106 D



MZU 256 D

6°–17°
1,200 HMI-RSI-MSI, hot restrikable

6°–17°
2,500 HMI-RSI-MSR, hot restrikable

Photometric data

1,200 W / 100,000 lm	Distance (m)	10.0	15.0	20.0	30.0	40.0	50.0	60.0	70.0
min. opening angle: 6° ax.= 2620,000cd	ø Dia. Light circle (m)	1.05	1.57	2.09	3.14	4.10	5.23	6.27	7.32
max. opening angle: 17° ax.= 397,000cd	Luminous intensity (lx)	26,200	11,644	6,550	2,911	1,637	1,048	727	534
	ø Dia. Light circel (m)	2.99	4.48	5.98	8.97	11.96	14.95	17.93	20.92
	Luminous intensity (lx)	3,970	1,764	992	441	248	158	110	81

2,500 W / 240,000 lm	Distance (m)	10.0	15.0	20.0	30.0	40.0	50.0	60.0	70.0
min. opening angle: 6° ax.= 4200,000cd	ø Dia. Light circle (m)	1.05	1.57	2.09	3.14	4.10	5.23	6.27	7.32
max. opening angle: 17° ax.= 550,000cd	Luminous intensity (lx)	42,000	18,666	10,500	4,666	2,625	1,680	1,166	857
	ø Dia. Light circel (m)	2.99	4.48	5.98	8.97	11.96	14.95	17.93	20.92
	Luminous intensity (lx)	5,500	2,444	1,375	611	343	220	152	112

Article

N106-001 MZU 106 D, 6°–17°

N256-001 MZU 256 D, 6°–17°

Scope of delivery:

safety grid, 2.5m powercable open end, IH 106D - manuel dimmer, rotatable base, MZU 106D with ballast and ball-bearing-swing, MZU 256D with electr. ballast and ball-bearing-swing

Accessories

1090.52.505	PFM/275 - Metal filter holder, 275 x 275mm
N215-910	GH 100-D - Goboholder A-Size, for X- and D-fixtures
N70-089	Lamp 1200W HMI, G38
N70-087	Lamp 2500W HMI, G38
N208-980	FWV208 - Manual 4-colour changer (colours: red, yellow, green, blue)
N11-784	ST 123 - Follow Stand tripod 800-1200mm high
N11-967	ST 124 H - Follow Heavy Duty with stabilisers 840-1200mm high





ENIFLOOD 1000S

50/110°
250 W LED-Engine

No fan,
no noise

LED FILL LIGHT

Technical specifications for Art.-No.: N10-450

Beam angle/zoom	50° / 110°
Lamp socket	LED Engine
Lamp power	250 W
Front cassette size	332 x 167 mm
Dimensions	442x355x167 mm (with brackets and handles)
Net weight	6,2 kg

What you can expect

The ENIFLOOD uses LED-Modules from a well-known German manufacturer with high demands in terms of quality, sustainability and lifet cycle management. Follow this, the user has the advantage of a 5-year-guarantee for the LEDs.

The installed LED-Modules provide the evidence about the photo-biological safety (DIN EN 62471).

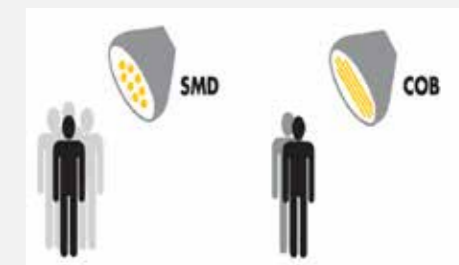
This gives you the high degree of security providing a safe working environment to your employees, highlighting all those hidden obstacles that is not provided with other systems.

COB (Chip-on-Board) Technology

The "naked" PCB without a casing is directly applied to the substrate, a process that enables much denser LED arrays in comparison to the most used SMD-technology of other competitors.

The great advantage of COB modules is the highly homogeneous light they emit.

That means a consistent light beam is given off, without any visible individual light points. Together with our special designed reflector, the result is a homogeneous light emitted, unaffected by multi-shadows.



A very long lifetime is a point of ours

To have only the information about the lifetime of the LEDs is not enough. Among other factors, the failure rate and decrease in luminous flux over the service life determine the quality of an LED module. Due the chemical and physical changes, LED modules lose some of their luminance over their service life. This process is known as degradation. Which there are the effect of ageing and the total failure of LEDs.

Using our LED modules under full load, 30.000 hours (app. 15 years), 90% (B10) of the LEDs will still have a minimum of 90% (L90) of the luminance. If you're working with a lower load, you will have 50.000 hours with L90/B10.

Thanks to this extremely stable operating behaviour of the modules, savings can already be made while planing your lighting system since the failure rate and ageing factor are almost impossible. The decrease in luminous flux of modules from our competitors are more affected by degradation is usually compensated for by increasing the number of the modules during the planing stage. However, this also raises overall energy requirements.

Photometric data: 27,500 cd - 1,100lx in 5m

Article

N10-450 ENIFLOOD 1000S

Scope of delivery:

safety grid, 2.5m powercable with Schuko connector



ENIMOT

for all Niethammer profile spotlights

No fan,
no noise,
no resets

Motorized profile spotlights

Fully automated Zoom Profile for the Theatre, the Opera House, the Concert Hall

- Remote control via DMX 512 of all beam shaping functions and pan & tilt
- Yoke repositioning better than 0.3°
- DC-motors and no fan ensure true noise-free operation
- Absolute sensor technology = no resets
- Colour control with scroller for perfect colour matching

INTRODUCTION

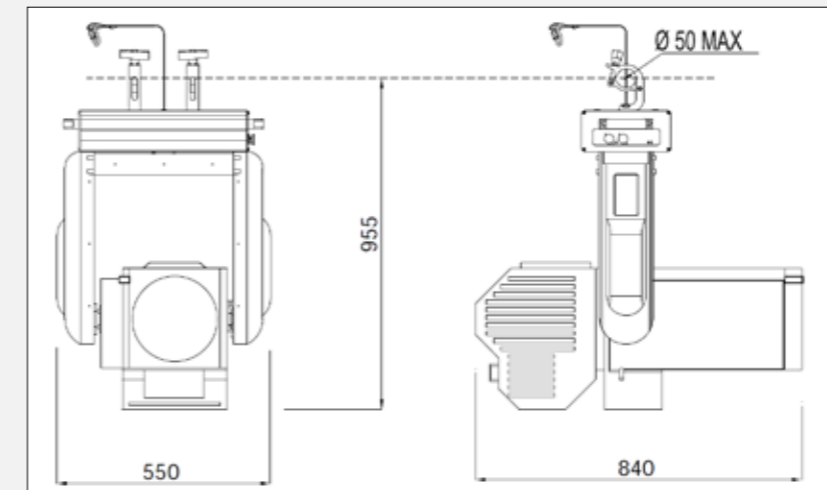
ENIMOT is a family of motorised yokes for the remote control of all NIETHAMMER Profile Spotlights. All the functions are controlled through a DMX 512 digital signal for the following groups of parameters:

- Horizontal movement (X) (pan) over 370°
- Vertical movement (Y) (tilt) up to 60° (up to 270° possible)

- First lens adjustment for focus and zoom
- Second lens adjustment for focus and zoom
- Iris diaphragm opening

Optional

- Motorized Beam Shaper Modul
- Scrolling colour changer (up to ten or more colours)



Dimensions for HPZ 215 D MOT

HPZ 112 D MOT	Art.-No.: N112-001M
HPZ 115 D MOT	Art.-No.: N115-001M
HPZ 211 D MOT	Art.-No.: N211-001M
HPZ 215 D MOT	Art.-No.: N215-001M
HPZ 211 X MOT	Art.-No.: N211-003M
HPZ 215 X MOT	Art.-No.: N215-003M
HPZ 2511 D MOT	Art.-No.: N211-002M
HPZ 2515 D MOT	Art.-No.: N215-002M

Accessories for Niethammer luminaires



N12-261 Rotatable base with spindle SO153,
for use with BN155,
max. load 75kg



N12-310 base with Pivot DIN BF155,
for use with BN155,
max. load 75kg



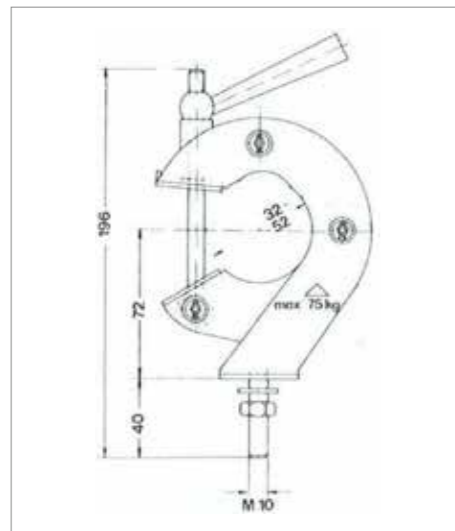
N12-295 Luminaire basic Plate BN155,
corresponding DIN 15560,
to clamp with a base



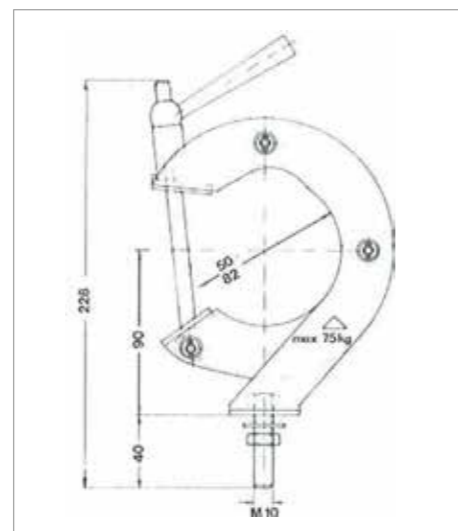
N12-336 Inclination flange NF45,
to use with BN155 or DS100,
corresponding DIN 15560



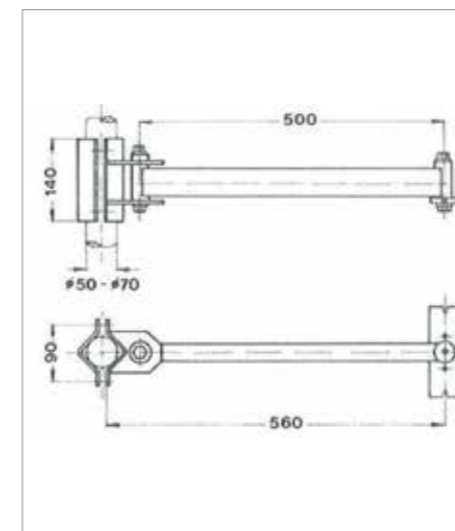
N215-910 Goboholder A-Size,
for 1kW, 2kW and 2,5kW spotlights



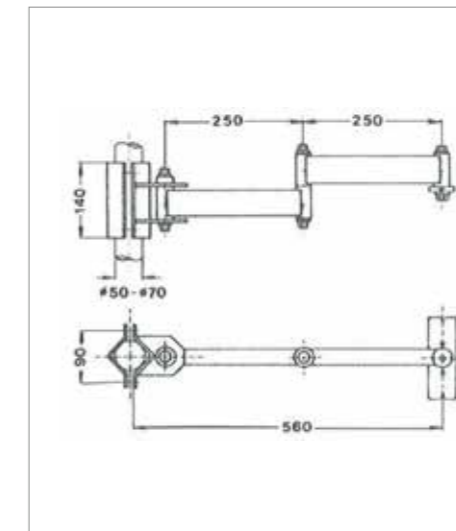
N12-261 Hook Clamp RC50,
for 32-52mm tubes, max. load 75kg



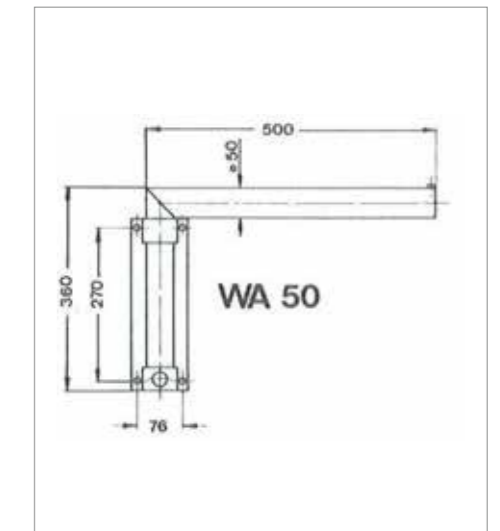
N12-295 Hook Clamp RC80,
for 50-80mm tubes, max. load 75kg



N12-386 Swivel Arm SA501,
one kinematic pairs, max. load 50kg



N12-378 Swivel Arm SA252,
two kinematic pairs, max load 50kg



N12-352 Swivel Arm for Wallmounting WA50,
one kinematic pair, max. load 50kg

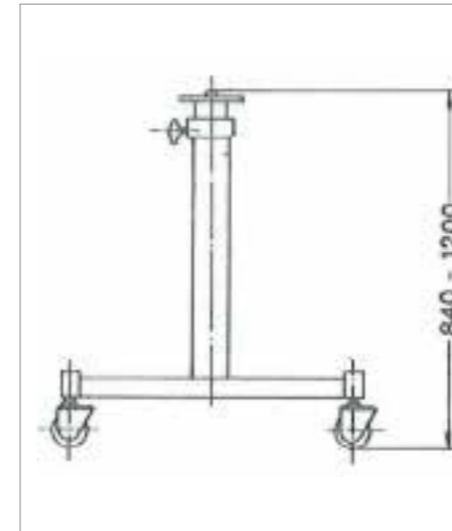
Accessories for Niethammer luminaires



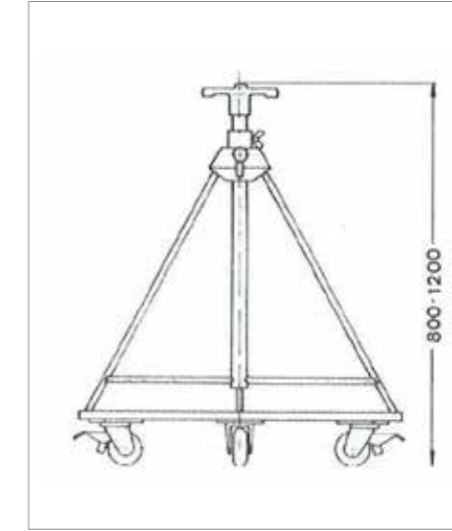
N120-717 Curved Yoke SB101 for 1/1,2kW
N120-840 Curved Yoke SB201 for 2/2,5kW



N208-980 Manual 4-colour changer,
for use with follow spots,
factory colours: red, yellow, green, blue



N11-967 Stand for Follow Spots ST124 H,
stable 4-legged Stand,
high adjustment by crank,
4 high-adjustable stabilizer,
with lockable wheels



N11-784 Stand for Follow Spots ST123,
stable 3-legged Stand,
with lockable wheels



N28-002 rotatable base DS100
for use with ST123, ST124,
BF155 or SO153

Accessories

1090.52.201	PFK/185 - Cardboard filter holder, 185 x 185mm
1090.52.302	PFK/245 - Cardboard filter holder, 245 x 245mm
1090.52.505	PFM275 - Metal filter holder, 275 x 275mm
1092.00.195	CAS100-4 - Safety bond 1m, 4mm
2990.40.600	Lamp CP 70, 1000W, GX 9.5 for HPZ 112D and HPZ 115D
2990.40.625	Lamp CP 90, 1.200W, GX 9,5, GE for HPZ 112D and HPZ 115D
2990.40.800	Lamp CP 72, 2000W, GY16 for HPZ 211D and HPZ 215D
2990.40.620	Lamp CP 92, 2000W, G22 for HPZ 211X, HPZ 215X and HZU 2508D
2990.40.621	Lamp CP 91, 2500W, G22 for HPZ 2511D, HPZ 2515D and HZU 2508D
N70-089	Lamp 1200W HMI, G38 for MZU 106D
N70-087	Lamp 2500W HMI, G38 for MZU 256D
N 106-620	IH 106D - manuel dimmer

For detailed information about spareparts,
please have a look on our homepage.
www.emil-niethammer.com



Niethammer Lichttechnik GmbH
Hintergasse 30
D-61239 Ober-Mörlen
Phone +49 6002 939333-0
Fax +49 6002 939333-33
info@emil-niethammer.de
www.emil-niethammer.de
www.emil-niethammer.com

For detailed information about spareparts,
please have a look on our homepage.