

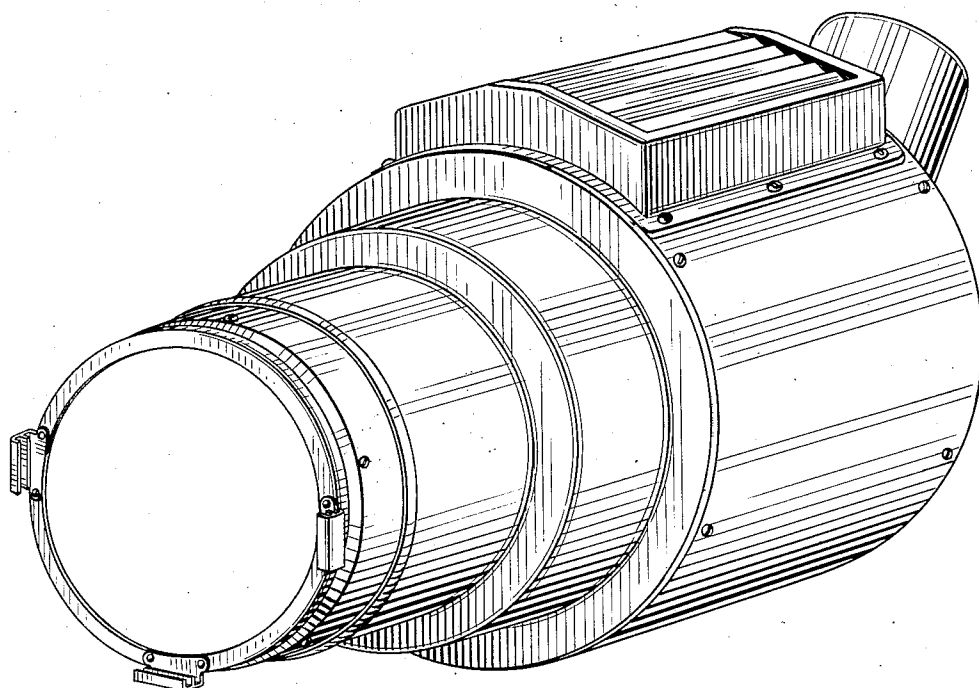
April 16, 1935.

J. LEVY

Des. 95,274

LIGHT PROJECTOR OR SIMILAR ARTICLE

Filed Dec. 31, 1934



Joseph Levy

INVENTOR.

BY *Louis Barnett.*

ATTORNEY.

Patented Apr. 16, 1935

Des. 95,274

UNITED STATES PATENT OFFICE

95,274

DESIGN FOR A LIGHT PROJECTOR OR
SIMILAR ARTICLE

Joseph Levy, New York, N. Y.

Application December 31, 1934, Serial No. 54,657

Term of patent 7 years

To all whom it may concern:

Be it known that Joseph Levy, a citizen of the United States and resident of New York city, in the county of Kings and State of New York, has invented a new, original, and ornamental Design for Light Projectors or Similar Articles, of which the following is a specification, reference being

had to the accompanying drawing, forming part thereof, in which the figure is a perspective view of a light projector embodying the new design.

I claim:

The ornamental design for a light projector or similar article as shown.

JOSEPH LEVY.